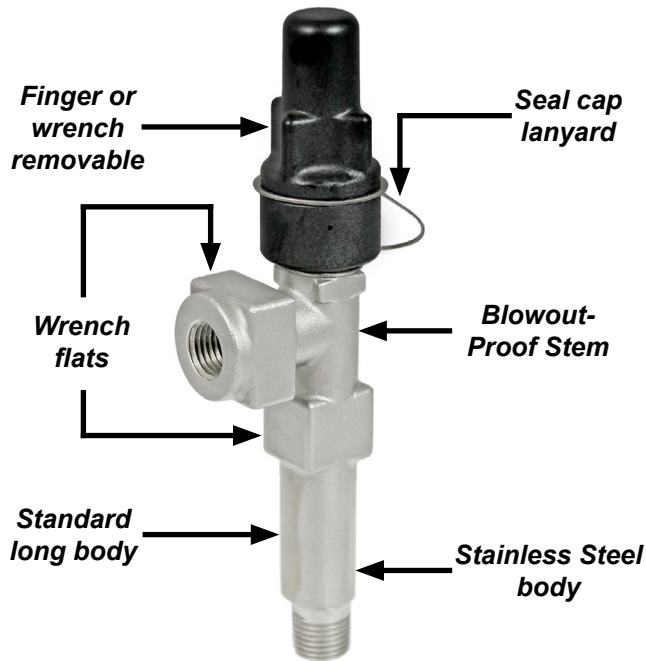


## SGV Gauge Valves & STV Transducer Valves



SGV Gauge Valve

### DESCRIPTION

The SGV **Stainless Steel Gauge Valve** and **STV Transducer Valve** from HANTEMP Controls are designed to meet industrial refrigeration and other application requirements. The valves' stainless steel construction provides superior corrosion resistance, whereas existing gauge valves of ordinary steel are subject to rusting and low-temperature embrittlement. They are designed for simple handling and maintenance, with wrench flats on the valve body and a seal cap removable via a wrench or fingers. With long lasting stainless-to-stainless seating to guarantee tightness, these valves have been approved for compatibility with all common refrigerants including ammonia, CO<sub>2</sub>, and secondary refrigerants.

### APPLICATIONS

**HANTEMP Stainless Steel Gauge Valves** are generally used to isolate gauges and other sensors for industrial refrigeration systems. It can also be used for pump-out or venting of components. However, the SGV is too small for most oil drain applications.

**STV Valves** have an additional 1/4" FPT side connection, allowing simultaneous connection of a gauge and transducer. Each side port can be independently isolated.

## STAINLESS STEEL GAUGE & TRANSDUCER VALVES

- Ideal for isolation of pressure gauges & sensors
- Suitable for valve venting & pump out
- 1/4" MPT (bottom) and 1/4" FPT (side)
- Seal cap lanyard standard

### MATERIALS & SPECIFICATIONS

**Body:** 300 Series Stainless Steel

**Stem:** 300 Series Stainless Steel

**Seal Cap:** Proprietary Polycarbonate

**Rotary Stem Seals:** Dual Teflon & Synthetic

**Retaining Ring:** 300 Series SS

**Safe Operating Pressure:** 800 psig

**Approved Operating Temperature:**  
-70°F to +240°F

**Approved Refrigerants Include:**

R717 (NH<sub>3</sub>), R744 (CO<sub>2</sub>), Halocarbons, Glycols, Brines, Water, and Aqueous Ammonia

### SAFETY WARNING

The valve should be installed, maintained, and serviced only by an experienced refrigeration professional. This includes reading and understanding pertinent product safety bulletins and installation instructions. Before servicing, the valve should be isolated from the system and all refrigerant evacuated from the piping section.

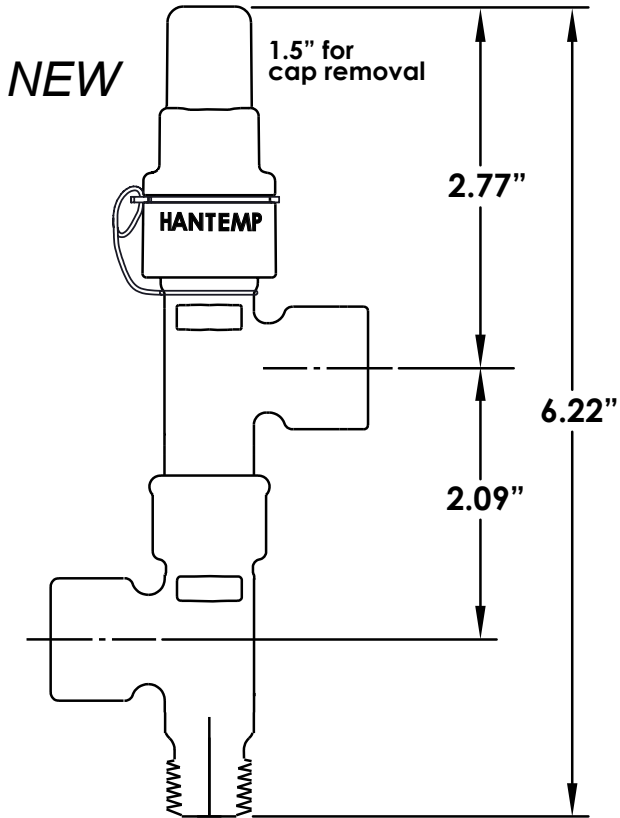
### DISCLAIMER

HANTEMP Controls reserves the right to alter product design, materials, and specifications without notice, as necessary.

### WARRANTY

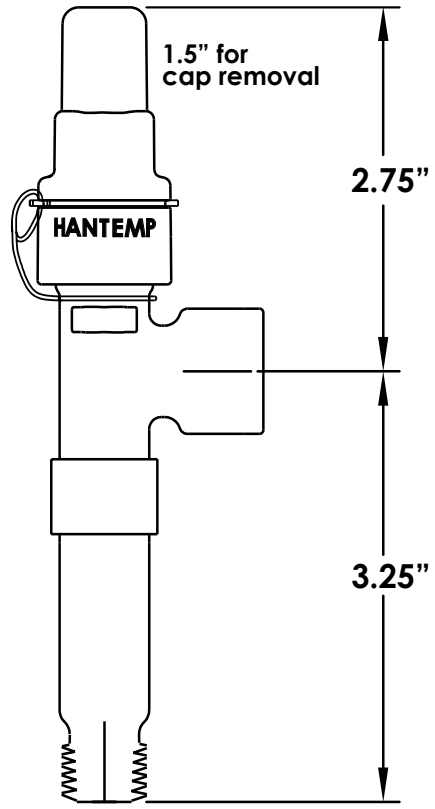
All HANTEMP Controls products are warranted against defects in workmanship and materials for a period of one year (90 days for electronics) from date of shipment from the factory. This warranty period is applicable only when products are properly applied, installed, operated, and serviced as specifically stated in HANTEMP Controls product bulletins unless otherwise approved in writing. Field labor and travel expenses are not warranty included.

## STV Transducer Valve Installation Dimensions

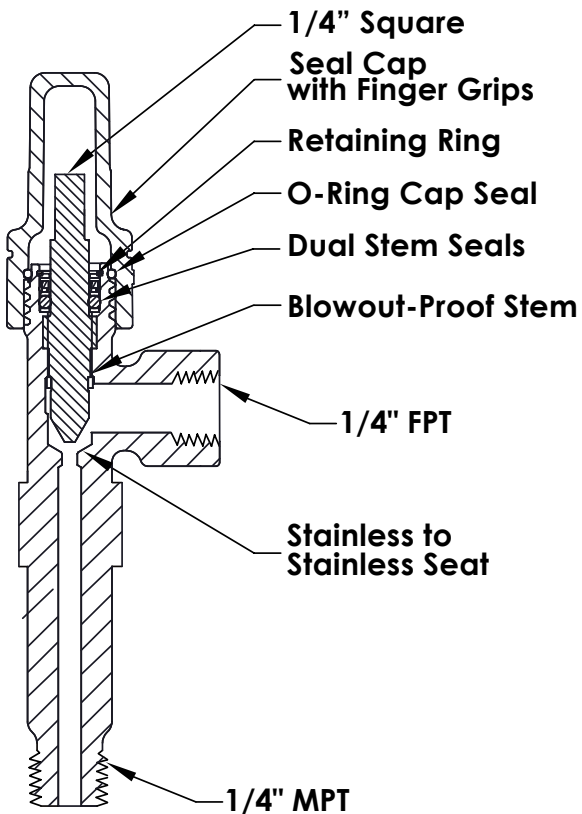


STV - Transducer Valve

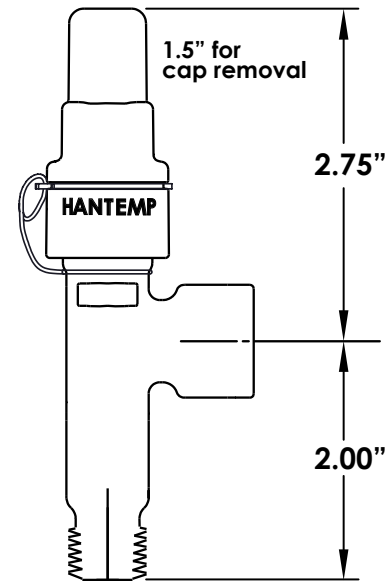
## SGV Gauge Valve Installation Dimensions



SGV - Standard Extended Neck



Seal Arrangement Diagram



SGVC - Compact Body



33 Chestnut Avenue Westmont, IL, USA  
(630) 537-1049 • [www.hantempcontrols.com](http://www.hantempcontrols.com)