

HANTEMP Controls

Bulletin RR0517b

Stainless Steel RR Flexible Valve Station



Solenoid (S4At) Equipped Valve Station

DESCRIPTION

This new industrial refrigeration control series uses a building block concept to create **Stainless Steel** control modules. These are easy to Install, to Repair, or to Remove. Standard HANTEMP Controls Modular Regulators and Solenoid Valves are factory assembled into simple packaged Weld In-line Assemblies with QSV Quick Service Valves ready for welding. Many application specific configurations are available. Parts can be easily replaced in-line or the control module can be easily removed for service.

The **Stainless Steel** quarter-turn QSV ball valves provide isolation of the control valve. In addition the outlet shut-off valve can be specified as a model QSV for liquid expansion applications.

SPECIFICATIONS

Body: Stainless Steel

Flange: Sizes 100 & 200*

Sizes: 3/4", 1", 1 1/4", 1 1/2", 2" & 2 1/2"*

Safe Operating Temperature: -70°F to +240°F

Safe Working Pressure: 800 psig

Refrigerants: Ammonia, CO2, and other approved refrigerants

** 1 1/2" to 2 1/2" coming soon*

FLEXIBLE VALVE STATION FOR INDUSTRIAL REFRIGERATION

3/4" TO 2 1/2"*

- **Stainless Steel Construction**
- **Modular design for easy service**
- **Optional integral strainer & check valve**
- **Optional triple LED pilot lights**
- **Moderate weight**



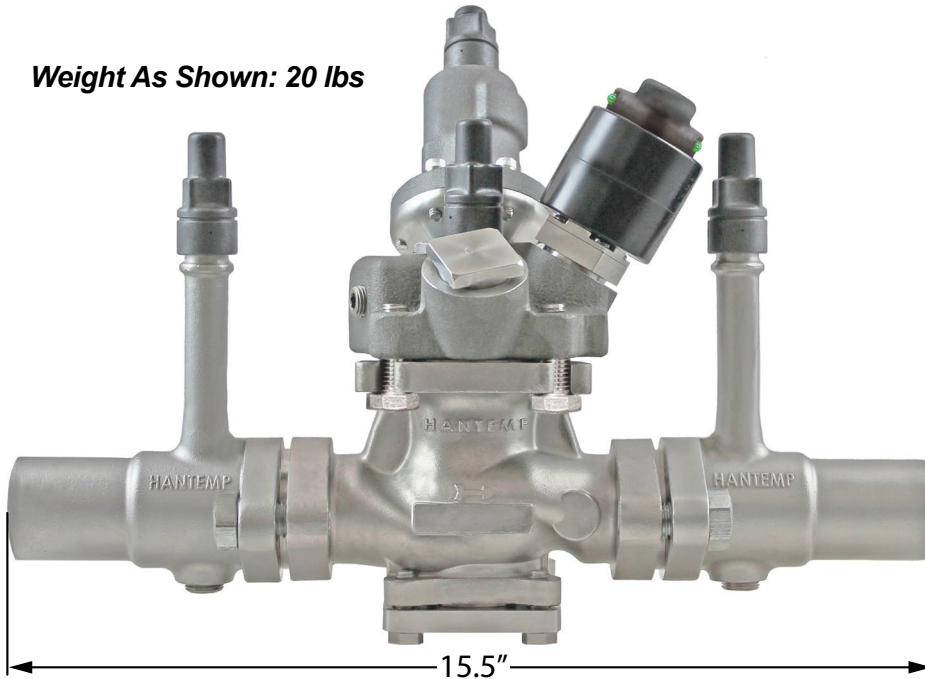
QSV (Quick Service Valve) Quarter-Turn Shut-Off Valves

RR STATION SIZING INFORMATION

Size Nominal	Available Connections	Size (mm)	Weight lbs
	SW, BW, FPT		
100	3/4", 1", 1 1/4"	3/4" (20)	20
		1" (25)	22
		1 1/4" (32)	24
200*	1 1/2", 2", 2 1/2"	1 1/2" (40)	54
		2" (50)	55
		2 1/2" (65)	56

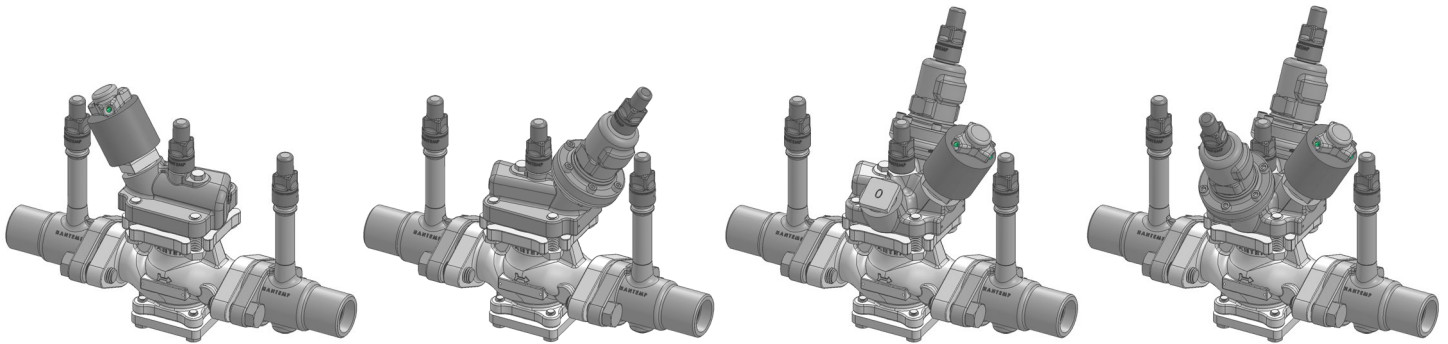
STAINLESS STEEL RR FLEXIBLE VALVE STATION

Weight As Shown: 20 lbs



A4St Equipped RR Valve Station
(shown with optional Triple Pilot Lights)

- RR Configurations Also Available:
- A4Bt Electric Wide Opening Regulator
 - A4Lt Differential Pressure Regulator
 - A4Kt Reseating Relief Regulator
 - A4Pt Pneumatically Compensated Regulator
 - A4Ot Outlet Pressure Regulator
 - A4Mt Motor Compensated Regulator
 - S7t Solenoid Valve



EXAMPLES OF RR STATION CONFIGURATIONS			
S4At-RR Solenoid Valve	A4At-RR Pressure Regulator (Inlet)	A4St-RR Regulator w/ Electric Shut-Off	A4Dt-RR Dual Pressure Regulator
For liquid, suction, or hot gas	Controls evaporator, vessel, condensing pressure, defrost relief, etc.	Controls at an established pressure where all flow must occasionally be stopped	Controls evaporator pressure at low or high pressure point; i.e. temperature/pressure relief at high pressure when de-energized

HANTEMP Controls

33 Chestnut Avenue, Westmont, IL, USA

(630) 537-1049

www.hantempcontrols.com

HANTEMP Controls reserves the right to alter product specifications, materials, and pricing without notice.