

S4At Stainless Steel Solenoid Valves

DESCRIPTION

These rugged **Stainless Steel** Solenoid Valves are for ammonia liquids & gases, carbon dioxide, other refrigerants, heat transfer fluids, and similar liquids & gases as approved. They interchange with most Hansen and Parker models and can functionally replace other similar solenoid valve designs.

Pilot operation utilizes a controlled orifice to actuate a spring-closing Teflon sealed disc-piston and skirt-guided Teflon seat disc (minimum ΔP is 2psi). The bodies accommodate an optional, bottom-accessible internal strainer.

Entire valve line uses single size 15 watt moisture proof molded coil with 1/2" DIN connector. **Stainless Steel** bodies are for weld-in or refrigeration flanges. Present sizes of 3/4" to 1 1/4" will be expanded to include 1 1/2", 2", and 2 1/2". These valves are superior in every way to present industry designs created nearly 50 years ago. Cost is slightly more than competitors'

Liquid Capacities (nominal)	
Port Size Inches	R717 (Tons) ; 2 PSI
3/4"	164
1"	300
1 1/4"	421
1 1/2"	899
2"	1207
2 1/2"	1977

Recirculating Liquid Capacities (nominal)	
Port Size Inches	R717 (Tons) ; 2 PSI
3/4"	55
1"	100
1 1/4"	140
1 1/2"	300
2"	402
2 1/2"	659

Suction Vapor Capacities (nominal)	
Port Size Inches	R717 (Tons) ; 2PSI ; +20°F (-6.7°F)
3/4"	9.5
1"	17
1 1/4"	24
1 1/2"	52
2"	70
2 1/2"	114

*Hot Gas Defrost Supply (nominal)	
Port Size Inches	R717 (Tons)
3/4"	10
1"	14
1 1/4"	20
1 1/2"	29
2"	48
2 1/2"	71

**For smoother defrosting use Controlled Ball Valve*

S4At Solenoid Valves

- **Stainless Steel Bodies**
- **Molded Moisture Proof Coils**
- **Replaces Hansen, R/S & Danfoss**
- **Optional Integral Strainer**
- **Standard Triple Pilot Lights**
- **3/4", 1", 1 1/4"; 1 1/2", 2", 2 1/2" in 2017**

SPECIFICATIONS

Body: Stainless Steel (no toxic zinc plating)

Piston Seal: Teflon® Cantilever Wiper

Main Seat: Teflon® Proprietary (V-Port)

Connections: 3/4", 1, 1 1/4" SW, BW, FPT (coming: 1 1/2", 2, 2 1/2")

Safe Operating Temperature: -70°F to 120°F

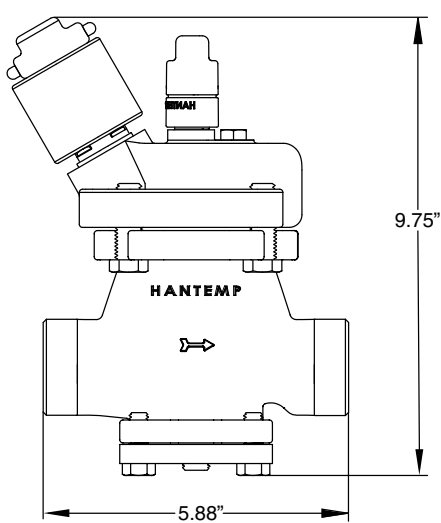
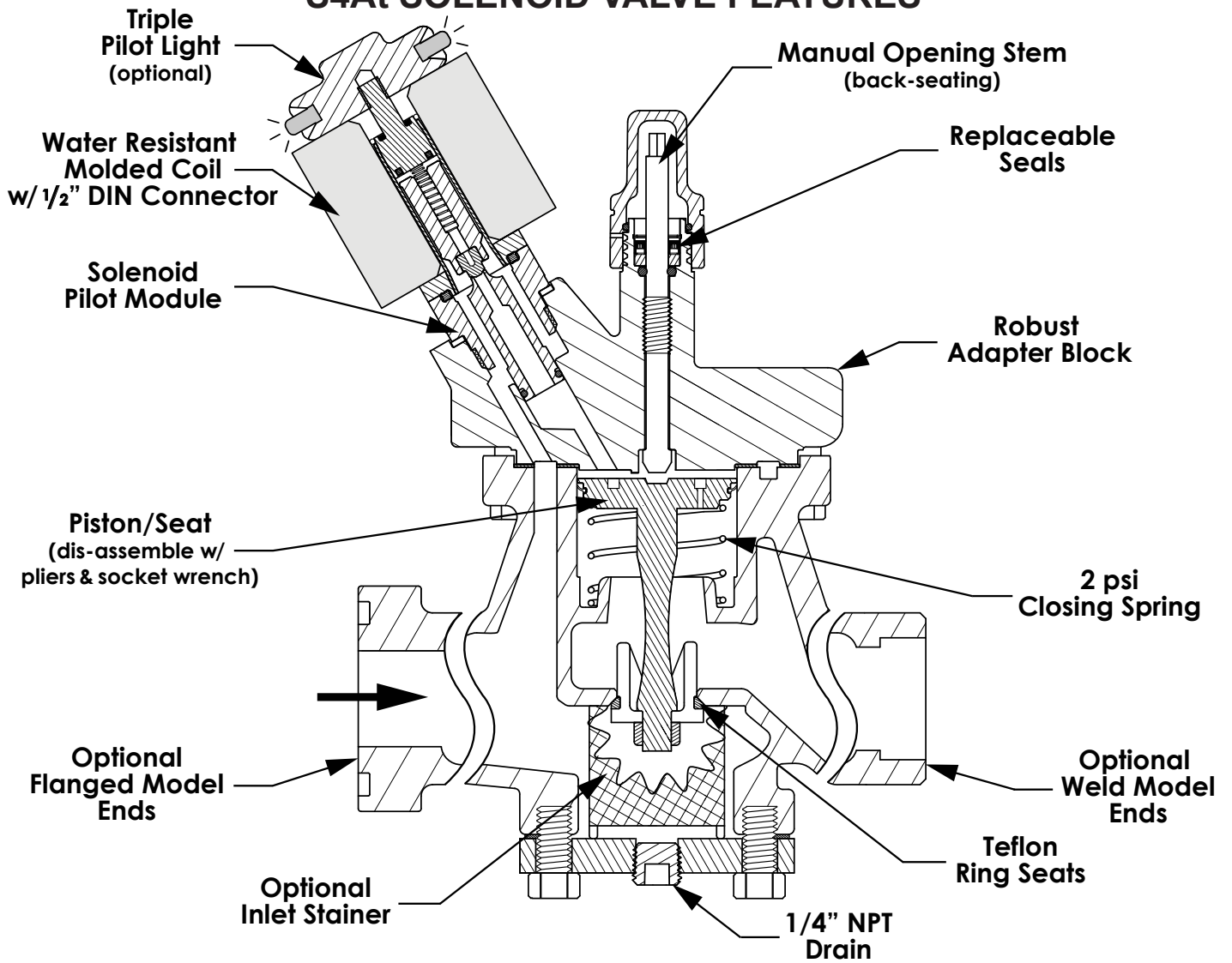
Safe Working Pressure: 800 psig



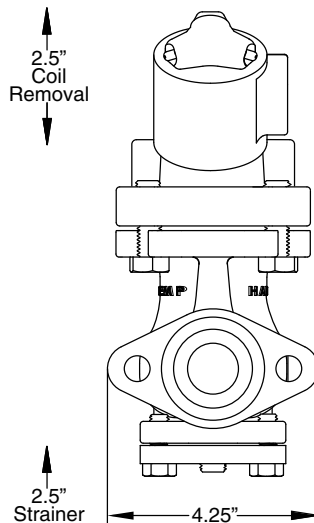
Weight: 9.8 lbs

S4At Solenoid Valve: Weld-In (shown w/ Triple Pilot Lights)

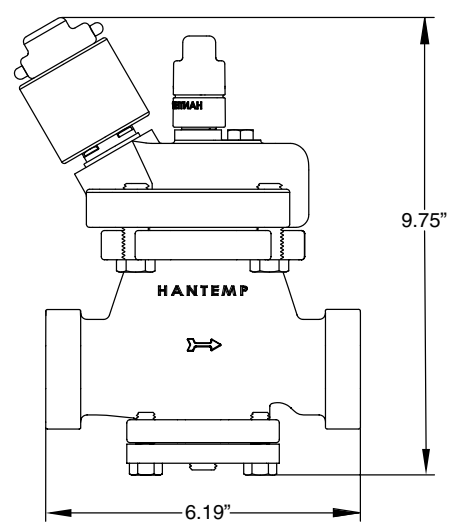
S4At SOLENOID VALVE FEATURES



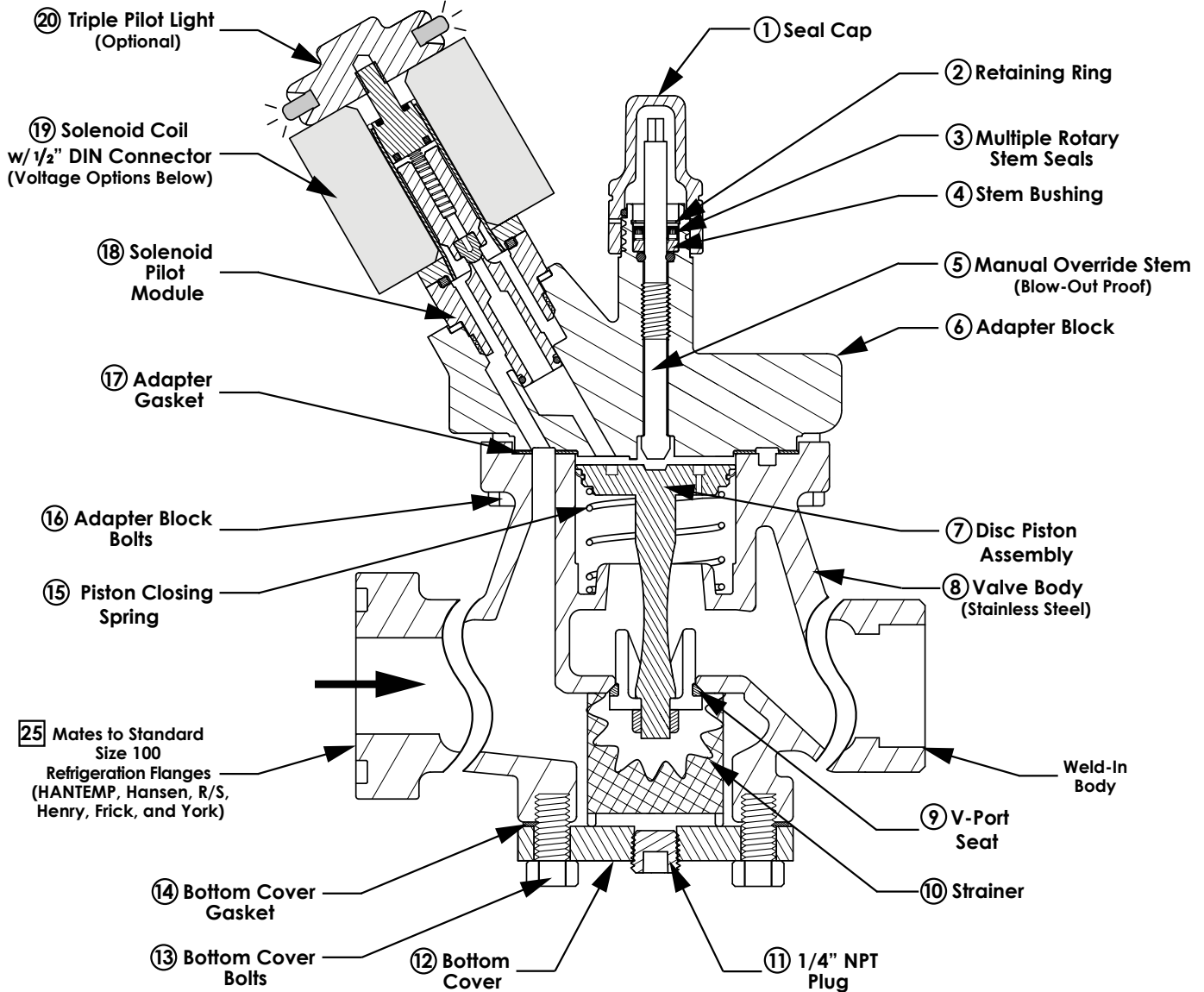
S4At Solenoid Valve: Weld-In Dimensions



S4At Solenoid Valve: Flanged Dimensions (same as Hansen & R/S)



S4At SOLENOID VALVE CROSS SECTION AND PARTS LIST



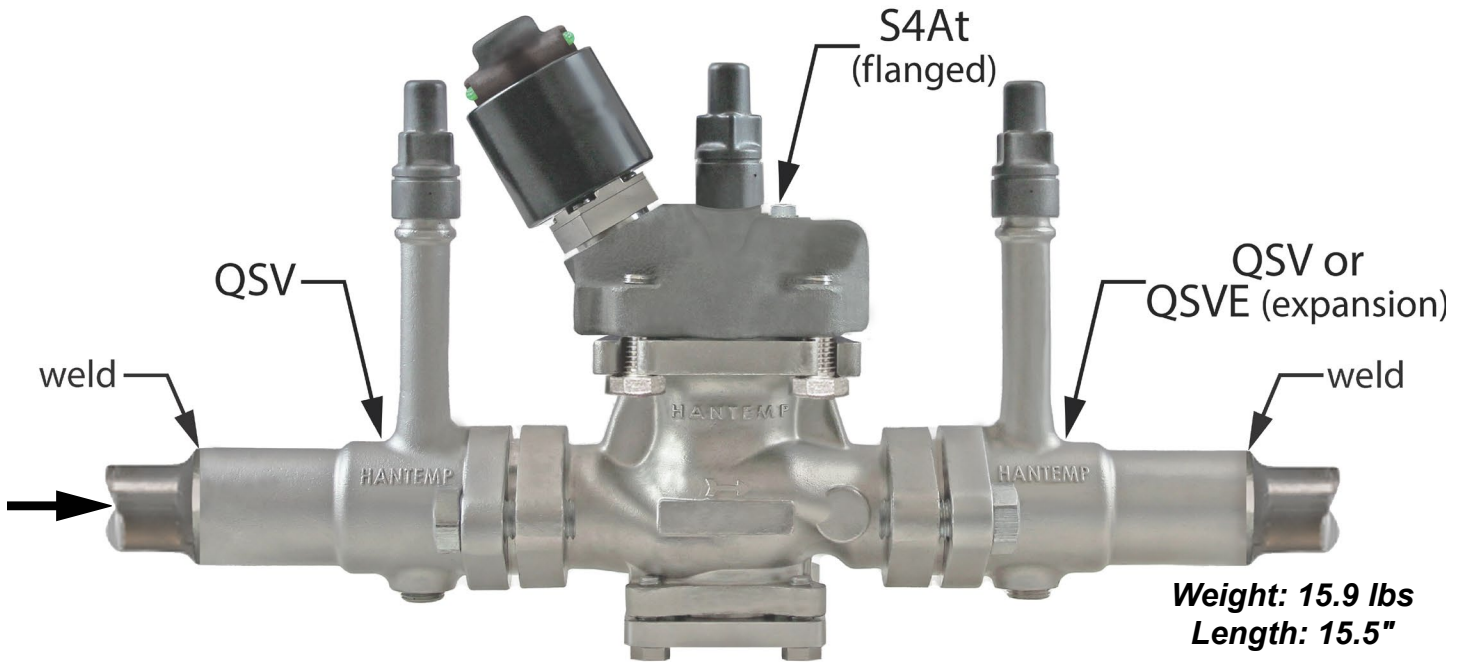
S4 - Solenoid Valve Parts List

Item	Qty.	Description	Part Number
1	1	Seal Cap	26-0117
2	1	Retaining Ring	28-0174
3	1	Multiple Rotary Stem Seals	28-0175
4	1	Stem Bushing	28-0109
5	1	Manual Override Stem	28-0012
6	1	Adapter Block	28-0233
7	1	Disc Piston Assembly	28-0158
8	1	Valve Body (Stainless Steel)	28-0078
9	1	V-Port Seat	28-0073
10	1	Strainer	28-0195
11	1	1/4" NPT Plug	28-0066
12	1	Bottom Cover	28-0002
13	4	Bottom Cover Bolts	28-0089
14	1	Bottom Cover Gasket	28-0010

S4 - Solenoid Valve Parts List

Item	Qty.	Description	Part Number
15	1	Piston Closing Spring	28-0077
16	4	Adapter Block Bolts	28-0065
17	1	Adapter Gasket	28-0009
18	1	Solenoid Pilot Module	28-0181
19	1	Solenoid Coil - 24VAC 50/60Hz	28-0261
19	1	Solenoid Coil - 115VAC 50/60Hz	28-0262
19	1	Solenoid Coil - 208/230VAC 50/60Hz	28-0263
20	1	Triple Pilot Light (Optional)	28-0248
21	1	3/4" Piston / V-Port Kit w/ Seals	28-0245
22	1	1" Piston / V-Port Kit w/ Seals	28-0246
23	1	1-1/4" Piston / V-Port w/ Seals	28-0247
24	1	Stem Seal Kit - (2, 3 & 4)	28-0264
25	2	Companion Flange (size 100)	Specify

STAINLESS STEEL RR FLEXIBLE STATION



Installs as **weld-in platform** with QSV stop valves
Repair in-line or Remove for maintenance

PRECAUTIONS

The valves should only be installed, maintained, and serviced by qualified and experienced refrigeration professionals. Before servicing a valve, it should be isolated from the system and all refrigerant evacuated from the piping. Eyes and lungs are at high risk.

The protective packaging should not be removed until ready for installation to avoid jobsite dirt or damage. The S4t Solenoid Valves are available for welding directly in-line or flanged installations. Valves should be installed with the directional flow arrow matching the direction of refrigerant flow. Prior to & during welding process, keep dirt from entering the valve.

All HANTEMP Controls products, except electric motors and electric items, are warranted against defects in workmanship and materials for a period of one year from date of shipment from the factory. This warranty is applicable only when products are properly installed and operated in conventional use and service unless an application is approved in writing by HANTEMP Controls.

FOR

Evaporators
Accumulators
Pump Packages
Float Switches
Heat Reclaim
Flooded Chiller
Expansion Valve Control

HANTEMP Controls

33 Chestnut Avenue, Westmont, IL, USA

(630) 537-1049

www.hantempcontrols.com

HANTEMP Controls reserves the right to alter product specifications, materials, and pricing without notice.