



## RFF STAINLESS STEEL SHUT-OFF VALVES 3/8" TO 1" CONNECTION SIZES

### DESCRIPTION

Stainless Steel globe and angle shut-off valves are cast from series 304 stainless steel. Socket Weld (SW) and Butt Weld (BW) end connections are available (schedule 40 BW standard). Internal operation features a seat disc with a PTFE Teflon seat, and back seating stem. The stem seal arrangement is a packing gland with dual O-rings with a unique oil filled groove providing a tight seal. The PTFE seat disc provides positive shut-off.

The nominal pressure rating is 580 psig (40 bar) with temperature operating range of -58°F (-50°C) to 302°F (+150°C). Valves rated for higher pressure are available, 942 psig (65 bar), upon request; temperature range -58°F (-50°C) to 230°F (+110°C).

Operation, all shut-off valves are counter clockwise open, and clockwise to close. The stem seal O-rings can be replaced when the stem is fully back seated. Replacing worn stem seals can be done without isolating the valve or pumping down the line.

The shut-off valves are available with aluminum seal caps or Bakelite hand wheels. The seal cap has a small bleed hole to alert the user of any trapped gas before the seal cap is completely removed from the valve. In addition, the seal cap has a slot machined in the top which can be used to rotate the stem of the valve for open/close operation.

**STAINLESS STEEL SHUT-OFF VALVES FOR INDUSTRIAL REFRIGERATION 3/8" TO 1"**

- **Globe And Angle Valve Models Available**
- **Safe Working Pressure (SWP) 580 psig (40 Bar); High Pressure Models Available**
- **Rated for -58°F (-50°C) to 230°F (+110°C)**
- **For NH<sub>3</sub> And Other Approved Refrigerants**
- **Schedule 40 Butt Weld (BW) Standard; Socket Weld (SW) Available Upon Request**



*3/4" Stainless Steel Angle Shut-Off w/ Handwheel; Butt Weld (shown)  
(Part # SS-AS-075-HW-BW)*



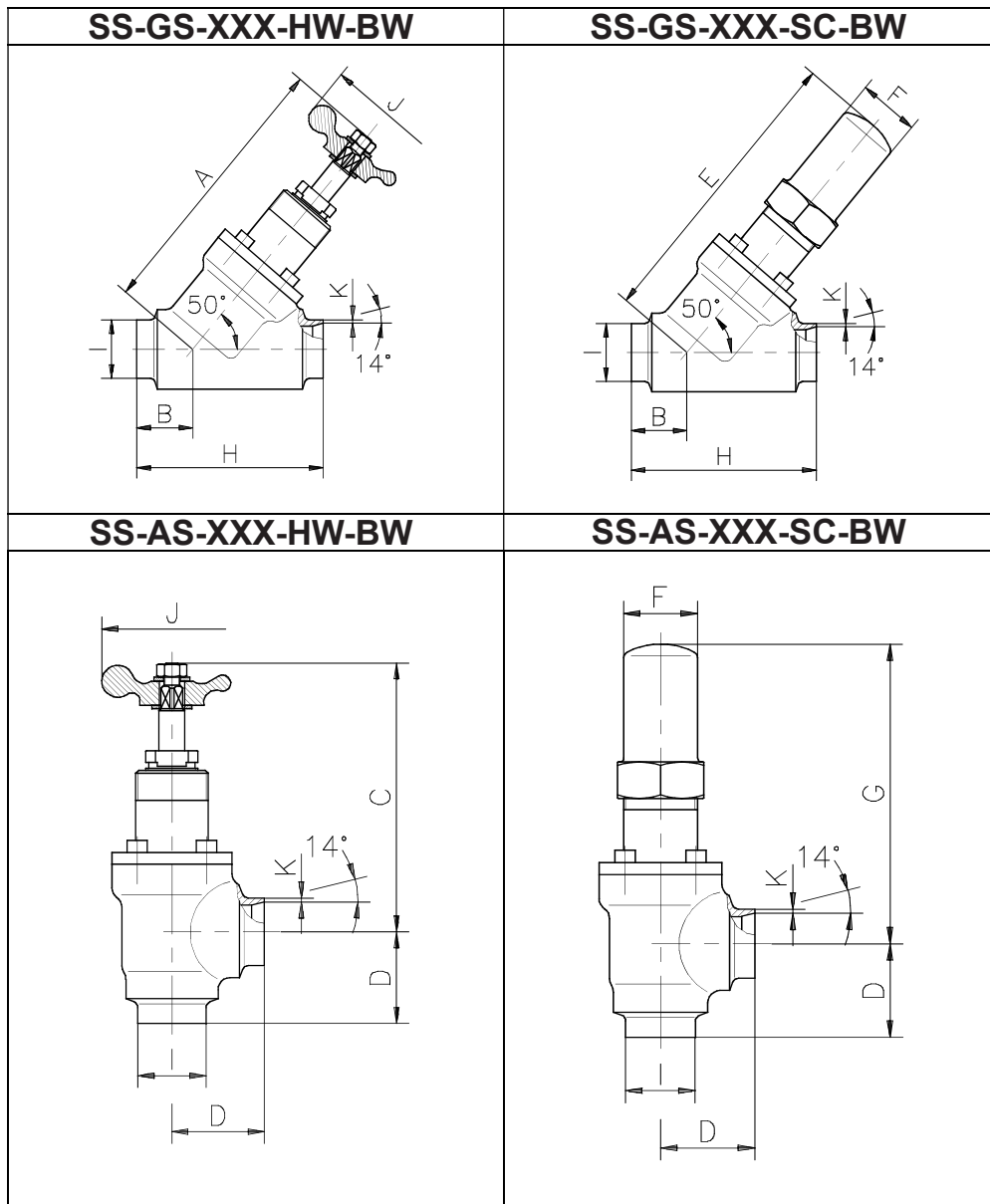
*1/2" Stainless Steel Globe Shut-Off w/ Seal Cap; Butt Weld (shown)  
(Part # SS-GS-050-SC-BW)*

Ordering Information					
Shut-Off Valves	Valve Material	Type	Size	Control*	Connection*
Options	Stainless Steel (Only)	Angle / Globe	3/8", 1/2", 3/4", 1" (038, 050, 075, 100)	Seal Cap / Handwheel	Butt Weld / Socket Weld
<b>Part #</b>	<b>SS -</b>	<b>GS -</b>	<b>100 -</b>	<b>SC -</b>	<b>BW</b>
Decoded	Stainless Steel	Globe Shut-Off	1"	Seal Cap	Butt Weld

*\*Seal Cap & Schedule 40 Butt Weld (BW) Standard; Socket Weld (SW) available (contact factory)*



# RFF STAINLESS STEEL SHUT-OFF VALVES 3/8" TO 1" CONNECTION SIZES CONTINUED



DIMENSIONS IN INCHES											
Port Size	A*	B	C*	D	E	F	G	H	I	J	K
3/8"	5	1	4-3/8	1-1/2	5-3/8	1-1/8	4-3/8	3-3/8	5/8	2	1/16
1/2"	5	1	4-3/8	1-1/2	5-3/8	1-1/8	4-3/8	3-3/8	7/8	2	1/16
3/4"	6-3/8	1-1/4	5-3/8	1-3/4	6-3/4	1-3/8	5-3/4	4-3/8	1	2-3/4	1/16
1"	6-3/8	1-1/4	5-3/8	1-3/4	6-3/4	1-3/8	5-3/4	4-3/8	1-3/8	2-3/4	1/16

\*Dimensions valve open

DIMENSIONS IN MILLIMETERS											
Port Size	A*	B	C*	D	E	F	G	H	I	J	K
10	128	25	112	39	136	28	112	85	17.2	50	2
15	128	25	112	39	136	28	112	85	21.3	50	2
20	161	33	136	46	171	36	146	110	26.9	70	2
25	161	33	136	46	171	36	146	110	33.7	70	2

\*Dimensions valve open

All rights reserved to alter product dimensions, specifications, materials, and pricing without notice.

